

毅力电子有限公司 Y.L.ELECTRONICS CO.,LTD

SMT POWER INDUCTORS (EPOXY SHIELDED)

YLME252012/YLME3010/YLME3015 SERIES

1.FEATURES

- . Low profile construction and miniature size.
- . High current saturation.
- . Magnetic shielded construction.
- . 100% lead (Pb) free meet RoHS Standard.

2.APPLICATIONS

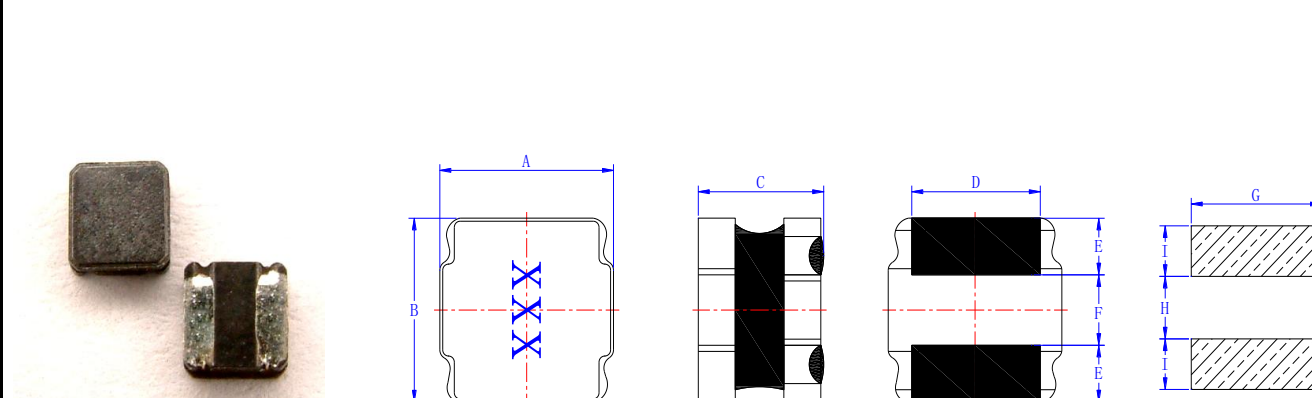
- . For small DC/DC converter .
- . Cellular phone,HDD,DVC,DSC,PDA,LCD display. Etc.

3.PART NUMBERING SYSTEM

YLME 3010 - 1R0 M
1 2 3 4

SERIES NAME DIMENSIONS INDUCTANCE TOLERANCE

4.MECHANICAL DRAWING



5.DINENSIONS (UNIT:mm)

| No. | SERIES | A | B | C | D | E | F | G | H | I |
|-----|------------|---------|---------|----------|---------|----------|---------|-----|-----|-----|
| 1 | YLME252012 | 2.0±0.1 | 2.5±0.1 | 1.2 MAX. | 1.5±0.2 | 0.8±0.2 | 0.8±0.2 | 0.9 | 0.8 | 0.9 |
| 2 | YLME3010 | 3.0±0.2 | 3.0±0.2 | 1.0 MAX. | 2.5±0.2 | 0.9±0.2 | 1.5±0.2 | 2.7 | 1.5 | 0.8 |
| 3 | YLME3015 | 3.0±0.2 | 3.0±0.2 | 1.5 MAX. | 2.5±0.2 | 0.75±0.2 | 1.5±0.2 | 2.7 | 1.5 | 0.8 |

福建省漳州市云霄县云陵镇享堂工业区
Industrial xiang tang yun xiao town zhangzhou city fujian
province

TEL:0596-8523238 0596-8545556 FAX:0596-8523938

惠州市博罗县龙溪镇电子城路46号科瑞高新产业园
Kerui High-tech Industrial Park, No.46, Yuecheng Road,
Longxi Town, Boluo County, Huizhou city, Guangdong Province

TEL:0752-6809969 0752-6676654 FAX:0752-6809939

毅力电子有限公司 Y.L.ELECTRONICS CO.,LTD

SMT POWER INDUCTORS (EPOXY SHIELDED)

YLME40/YLME50/YLME60/YLME80 SERIES

1.FEATURES

- . Low profile construction and miniature size.
- . High current saturation.
- . Magnetic shielded construction.
- . 100% lead (Pb) free meet RoHS Standard.

2.APPLICATIONS

- . For small DC/DC converter .
- . Cellular phone,HDD,DVC,DSC,PDA,LCD display. Etc.

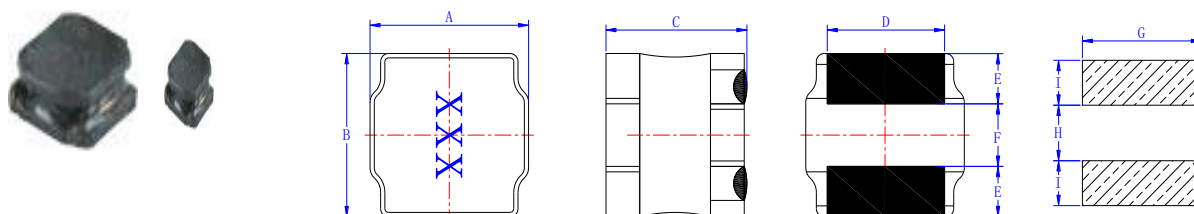
3.PART NUMBERING SYSTEM

YLME 6045 - 1R0 M

1 2 3 4

SERIES NAME DIMENSIONS INDUCTANCE TOLERANCE

4.MECHANICAL DRAWING



5.DINENSIONS (UNIT:mm)

| No. | SERIES | A | B | C | D | E | F | G | H | I |
|-----|----------|---------|---------|---------|---------|----------|---------|-----|-----|-----|
| 1 | YLME4018 | 4.0±0.2 | 4.0±0.2 | 1.8MAX. | 3.3±0.1 | 0.95±0.1 | 2.1±0.1 | 3.7 | 1.9 | 1.1 |
| 2 | YLME4020 | 4.0±0.2 | 4.0±0.2 | 2.1MAX. | 3.3±0.2 | 0.95±0.2 | 2.1±0.2 | 3.7 | 1.9 | 1.1 |
| 3 | YLME4030 | 4.0±0.3 | 4.0±0.3 | 3.0MAX. | 3.3±0.2 | 0.95±0.2 | 2.1±0.2 | 3.7 | 1.9 | 1.1 |
| 4 | YLME5020 | 5.0±0.2 | 5.0±0.2 | 2.0MAX. | 4.0±0.2 | 1.25±0.2 | 2.5±0.2 | 4.2 | 2.3 | 1.4 |
| 5 | YLME5040 | 5.0±0.2 | 5.0±0.2 | 4.0MAX. | 4.0±0.2 | 1.25±0.2 | 2.5±0.2 | 4.2 | 2.3 | 1.4 |
| 6 | YLME6028 | 6.0±0.3 | 6.0±0.3 | 2.8MAX. | 4.9±0.3 | 1.75±0.3 | 2.9±0.3 | 5.7 | 2.8 | 1.7 |
| 7 | YLME6045 | 6.0±0.3 | 6.0±0.3 | 4.5MAX. | 4.9±0.3 | 1.55±0.3 | 2.9±0.3 | 5.7 | 2.8 | 1.7 |
| 8 | YLME8040 | 8.0±0.3 | 8.0±0.3 | 4.2MAX. | 6.3±0.3 | 2.3±0.3 | 4.0±0.3 | 7.5 | 3.8 | 2.2 |

福建省漳州市云霄县云陵镇享堂工业区
Industrial xiang tang yun xiao town zhangzhou city
fujian province

惠州市博罗县龙溪镇电子城路46号科瑞高新产业园
Kerui High-tech Industrial Park, No.46, Yuecheng Road, Longxi Town,
Boluo County, Huizhou city, Guangdong Province

TEL:0596-8523238 0596-8545556 FAX:0596-8523938

TEL:0752-6809969 0752-6676654 FAX:0752-6809939

毅力电子有限公司 Y.L.ELECTRONICS CO.,LTD

SMT POWER INDUCTORS (EPOXY SHIELDED)

贴片功率电感

YLME252012 SERIES

Electrical Specification

| PART NUMBER | INDUCTANCE L(uH) | DCR (mΩ) MAX. | | Rated Current (A) | Isat (A) |
|-----------------|---------------------|----------------|------|----------------------|-------------|
| | | TYP. | MAX. | | |
| YLME252012-R47N | 0.47 | 42 | 50 | 2.27 | 4.03 |
| YLME252012-R68N | 0.68 | 73 | 88 | 1.73 | 3.43 |
| YLME252012-1R0N | 1.00 | 85 | 102 | 1.58 | 3.00 |
| YLME252012-1R5M | 1.50 | 113 | 136 | 1.40 | 2.51 |
| YLME252012-2R2M | 2.20 | 165 | 198 | 1.15 | 2.07 |
| YLME252012-3R3M | 3.30 | 200 | 240 | 1.04 | 1.80 |
| YLME252012-4R7M | 4.70 | 315 | 378 | 0.84 | 1.32 |
| YLME252012-5R6M | 5.60 | 334 | 401 | 0.81 | 1.26 |
| YLME252012-6R8M | 6.80 | 447 | 536 | 0.69 | 1.09 |
| YLME252012-8R2M | 8.20 | 506 | 607 | 0.65 | 1.10 |
| YLME252012-100M | 10.00 | 575 | 690 | 0.62 | 0.97 |
| YLME252012-120M | 12.00 | 827 | 992 | 0.51 | 0.87 |
| YLME252012-150M | 15.00 | 1224 | 1469 | 0.42 | 0.76 |
| YLME252012-220M | 22.00 | 1520 | 1824 | 0.38 | 0.59 |

1.Tolerance:N:±30% M:±20%,L:±15%,K:±10%

2.Inductance drops no more than 30% of initial value at rated current, temperature rises, $\Delta T=40^{\circ}\text{C}$

3.Operating temperature : -25°C to 85°C .

4.Unspecified values available on request.

毅力电子有限公司 Y.L.ELECTRONICS CO.,LTD

SMT POWER INDUCTORS (EPOXY SHIELDED)

贴片功率电感

YLME3010 SERIES

Electrical Specification

| PART NUMBER | INDUCTANCE L(uH) | DCR (mΩ) ±30% | Rated Current (A) | SRF(TYP.) MHz |
|---------------|---------------------|------------------|----------------------|------------------|
| YLME3010-1R0N | 1.00 | 45 | 1.40 | 126 |
| YLME3010-1R5N | 1.50 | 56 | 1.30 | 98 |
| YLME3010-2R2N | 2.20 | 66 | 1.10 | 82 |
| YLME3010-3R3M | 3.30 | 98 | 0.94 | 63 |
| YLME3010-4R7M | 4.70 | 133 | 0.78 | 56 |
| YLME3010-6R8M | 6.80 | 210 | 0.63 | 46 |
| YLME3010-100M | 10.00 | 315 | 0.51 | 35 |
| YLME3010-150M | 15.00 | 518 | 0.40 | 30 |
| YLME3010-220M | 22.00 | 721 | 0.35 | 25 |
| YLME3010-330M | 33.00 | 1085 | 0.28 | 20 |
| YLME3010-470M | 47.00 | 1035 | 0.24 | 17 |

YLME3015 SERIES

Electrical Specification

| PART NUMBER | INDUCTANCE L(uH) | DCR (mΩ) ±30% | Rated Current (A) | Isat (A) |
|---------------|---------------------|------------------|----------------------|-------------|
| YLME3015-1R0N | 1.00 | 37 | 2.1 | 2.32 |
| YLME3015-1R5N | 1.50 | 50 | 1.70 | 2.00 |
| YLME3015-2R2M | 2.20 | 60 | 1.60 | 1.60 |
| YLME3015-3R3M | 3.30 | 80 | 1.36 | 1.32 |
| YLME3015-4R7M | 4.70 | 125 | 1.09 | 1.10 |
| YLME3015-5R6M | 5.60 | 170 | 1.00 | 1.05 |
| YLME3015-6R8M | 6.80 | 200 | 0.85 | 0.85 |
| YLME3015-100M | 10.00 | 250 | 0.77 | 0.72 |
| YLME3015-150M | 15.00 | 350 | 0.65 | 0.66 |
| YLME3015-220M | 22.00 | 460 | 0.57 | 0.52 |
| YLME3015-330M | 33.00 | 780 | 0.42 | 0.44 |
| YLME3015-470M | 47.00 | 1200 | 0.32 | 0.35 |

1.Tolerance:N:±30% M:±20%,L:±15%,K:±10%

2.Inductance drops no more than 30% of initial value at rated current, temperature rises, $\Delta T=40^{\circ}\text{C}$

3.Operating temperature : -25 °C to 85 °C.

4.Unspecified values available on request.

毅力电子有限公司 Y.L.ELECTRONICS CO.,LTD

SMT POWER INDUCTORS (EPOXY SHIELDED)

贴片功率电感

YLME4018 SERIES

Electrical Specification

| PART NUMBER | INDUCTANCE L(uH) | DCR (mΩ) ±30% | Rated Current (A) | Isat (A) |
|---------------|---------------------|-------------------|----------------------|-------------|
| YLME4018-1R0N | 1.00 | 25 | 2.00 | 4.80 |
| YLME4018-1R5N | 1.50 | 40 | 1.80 | 3.35 |
| YLME4018-2R2N | 2.20 | 45 | 1.65 | 2.70 |
| YLME4018-3R3N | 3.30 | 70 | 1.23 | 2.45 |
| YLME4018-4R7N | 4.70 | 90 | 1.20 | 1.70 |
| YLME4018-6R8N | 6.80 | 110 | 1.03 | 1.45 |
| YLME4018-100M | 10.00 | 180 | 0.84 | 1.30 |
| YLME4018-150M | 15.00 | 250 | 0.65 | 0.94 |
| YLME4018-220M | 22.00 | 360 | 0.59 | 0.80 |
| YLME4018-330M | 33.00 | 530 | 0.49 | 0.65 |
| YLME4018-470M | 47.00 | 650 | 0.45 | 0.57 |

YLME4020 SERIES

Electrical Specification

| PART NUMBER | INDUCTANCE L(uH) | DCR (mΩ) ±30% | Rated Current (A) | Isat (A) |
|---------------|---------------------|-------------------|----------------------|-------------|
| YLME4020-1R0N | 1.00 | 28 | 2.15 | 5.10 |
| YLME4020-1R2N | 1.20 | 29 | 2.10 | 4.70 |
| YLME4020-1R5N | 1.50 | 35 | 1.98 | 4.45 |
| YLME4020-3R3N | 3.30 | 70 | 1.40 | 3.20 |
| YLME4020-4R7N | 4.70 | 80 | 1.34 | 2.35 |
| YLME4020-5R6N | 5.60 | 95 | 1.22 | 2.20 |
| YLME4020-8R2N | 8.20 | 150 | 1.00 | 1.75 |
| YLME4020-120M | 12.00 | 175 | 0.88 | 1.50 |
| YLME4020-150M | 15.00 | 230 | 0.77 | 1.35 |
| YLME4020-220M | 22.00 | 350 | 0.62 | 1.05 |
| YLME4020-330M | 33.00 | 500 | 0.49 | 0.85 |
| YLME4020-470M | 47.00 | 710 | 0.44 | 0.74 |

1.Tolerance:N:±30% M:±20%,L:±15%,K:±10%

2.Inductance drops no more than 30% of initial value at rated current, temperature rises, $\Delta T=40^{\circ}\text{C}$

3.Operating temperature : -25°C to 85°C .

4.Packaging quantity: 1000pcs/Reel

5.Unspecified values available on request.

毅力电子有限公司 Y.L.ELECTRONICS CO.,LTD

SMT POWER INDUCTORS (EPOXY SHIELDED)

贴片功率电感

YLME4030 SERIES

Electrical Specification

| PART NUMBER | INDUCTANCE L(uH) | DCR (mΩ) ±30% | Rated Current (A) | Isat (A) |
|---------------|---------------------|-------------------|----------------------|-------------|
| YLME4030-R47N | 0.47 | 11 | 3.50 | 7.50 |
| YLME4030-1R0N | 1.00 | 15 | 3.40 | 5.90 |
| YLME4030-1R5N | 1.50 | 25 | 3.30 | 4.85 |
| YLME4030-2R2M | 2.20 | 35 | 2.95 | 4.10 |
| YLME4030-3R3M | 3.30 | 40 | 2.40 | 3.30 |
| YLME4030-4R7M | 4.70 | 60 | 2.00 | 2.90 |
| YLME4030-5R6M | 5.60 | 70 | 1.95 | 2.75 |
| YLME4030-6R8M | 6.80 | 75 | 1.70 | 2.60 |
| YLME4030-7R5M | 7.50 | 90 | 1.65 | 2.20 |
| YLME4030-8R2M | 8.20 | 100 | 1.60 | 2.10 |
| YLME4030-100M | 10.00 | 115 | 1.50 | 1.95 |
| YLME4030-120M | 12.00 | 140 | 1.35 | 1.70 |
| YLME4030-150M | 15.00 | 190 | 1.15 | 1.65 |
| YLME4030-180M | 18.00 | 215 | 1.10 | 1.40 |
| YLME4030-220M | 22.00 | 225 | 1.00 | 1.30 |
| YLME4030-330M | 33.00 | 330 | 0.84 | 1.10 |
| YLME4030-470M | 47.00 | 500 | 0.72 | 0.90 |
| YLME4030-560M | 56.00 | 560 | 0.65 | 0.85 |
| YLME4030-680M | 68.00 | 750 | 0.55 | 0.75 |
| YLME4030-820M | 82.00 | 950 | 0.50 | 0.68 |
| YLME4030-101M | 100.00 | 1150 | 0.45 | 0.60 |

1.Tolerance:N:±30% M:±20%,L:±15%,K:±10%

2.Inductance drops no more than 30% of initial value at rated current, temperature rises, ΔT=40℃

3.Operating temperature : -25 ℃ to 85 ℃.

4.Packaging quantity: 1000pcs/Reel

5.Unspecified values available on request.

毅力电子有限公司 Y.L.ELECTRONICS CO.,LTD

SMT POWER INDUCTORS (EPOXY SHIELDED)

贴片功率电感

YLME5020 SERIES

Electrical Specification

| PART NUMBER | INDUCTANCE L(uH) | DCR (mΩ) ±30% | Rated Current (A) | Isat (A) |
|---------------|---------------------|-------------------|----------------------|-------------|
| YLME5020-R22N | 0.22 | 11 | 5.00 | 6.00 |
| YLME5020-R47N | 0.47 | 15 | 3.95 | 4.85 |
| YLME5020-1R0N | 1.00 | 20 | 3.70 | 4.33 |
| YLME5020-1R2N | 1.20 | 25 | 3.50 | 4.20 |
| YLME5020-1R5N | 1.50 | 26 | 3.20 | 4.10 |
| YLME5020-3R3N | 3.30 | 46 | 2.40 | 3.25 |
| YLME5020-3R9N | 3.90 | 50 | 2.15 | 2.90 |
| YLME5020-4R7M | 4.70 | 65 | 2.05 | 2.40 |
| YLME5020-8R2M | 8.20 | 100 | 1.60 | 1.90 |
| YLME5020-100M | 10.00 | 125 | 1.50 | 1.80 |
| YLME5020-150M | 15.00 | 180 | 1.25 | 1.44 |
| YLME5020-220M | 22.00 | 250 | 1.05 | 1.18 |
| YLME5020-330M | 33.00 | 370 | 0.83 | 0.97 |
| YLME5020-470M | 47.00 | 560 | 0.70 | 0.81 |

YLME5040 SERIES

Electrical Specification

| PART NUMBER | INDUCTANCE L(uH) | DCR (mΩ) ±30% | Rated Current (A) | Isat (A) |
|---------------|---------------------|-------------------|----------------------|-------------|
| YLME5040-1R0N | 1.00 | 13 | 4.90 | 7.35 |
| YLME5040-1R5N | 1.50 | 15 | 4.30 | 6.30 |
| YLME5040-2R2N | 2.20 | 19 | 3.80 | 4.90 |
| YLME5040-2R7N | 2.70 | 22 | 3.60 | 4.30 |
| YLME5040-3R3N | 3.30 | 24 | 3.40 | 3.95 |
| YLME5040-4R7N | 4.70 | 30 | 3.00 | 3.50 |
| YLME5040-6R8M | 6.80 | 43 | 2.50 | 2.90 |
| YLME5040-100M | 10.00 | 64 | 2.10 | 2.35 |
| YLME5040-220M | 22.00 | 129 | 1.50 | 1.60 |
| YLME5040-270M | 27.00 | 165 | 1.30 | 1.50 |
| YLME5040-330M | 33.00 | 188 | 1.20 | 1.30 |
| YLME5040-470M | 47.00 | 270 | 1.00 | 1.10 |
| YLME5040-680M | 68.00 | 400 | 0.80 | 0.90 |
| YLME5040-101M | 100.00 | 560 | 0.70 | 0.75 |

1.Tolerance:N:±30% M:±20%,L:±15%,K:±10%

2.Inductance drops no more than 30% of initial value at rated current, temperature rises, ΔT=40℃

3.Operating temperature : -25 ℃ to 85 ℃.

4.Packaging quantity: 1000pcs/Reel

5.Unspecified values available on request.

毅力电子有限公司 Y.L.ELECTRONICS CO.,LTD

SMT POWER INDUCTORS (EPOXY SHIELDED)

贴片功率电感

YLME6028 SERIES

Electrical Specification

| PART NUMBER | INDUCTANCE L(uH) | DCR (mΩ) ±30% | Rated Current (A) | Isat (A) |
|---------------|---------------------|-------------------|----------------------|-------------|
| YLME6028-1R0N | 1.00 | 12 | 4.60 | 6.70 |
| YLME6028-1R5N | 1.50 | 16 | 4.30 | 6.00 |
| YLME6028-4R7M | 4.70 | 33 | 3.00 | 3.00 |
| YLME6028-6R8M | 6.80 | 56 | 2.40 | 2.60 |
| YLME6028-8R2M | 8.20 | 68 | 2.25 | 2.40 |
| YLME6028-120M | 12.00 | 88 | 1.70 | 1.80 |
| YLME6028-150M | 15.00 | 125 | 1.50 | 1.75 |
| YLME6028-330M | 33.00 | 220 | 1.10 | 1.35 |
| YLME6028-390M | 39.00 | 225 | 1.10 | 1.25 |
| YLME6028-470M | 47.00 | 280 | 1.05 | 1.15 |
| YLME6028-680M | 68.00 | 420 | 0.85 | 0.95 |
| YLME6028-820M | 82.00 | 550 | 0.70 | 0.80 |
| YLME6028-101M | 100.00 | 670 | 0.60 | 0.65 |

YLME6045 SERIES

Electrical Specification

| PART NUMBER | INDUCTANCE L(uH) | DCR (mΩ) ±30% | Rated Current (A) | Isat (A) |
|---------------|---------------------|-------------------|----------------------|-------------|
| YLME6045-1R0N | 1.00 | 10 | 5.10 | 9.00 |
| YLME6045-1R5N | 1.50 | 12 | 4.75 | 7.50 |
| YLME6045-2R2N | 2.20 | 13 | 4.60 | 6.50 |
| YLME6045-3R9N | 3.90 | 20 | 3.20 | 4.90 |
| YLME6045-5R6N | 5.60 | 31 | 2.80 | 3.70 |
| YLME6045-6R8M | 6.80 | 33 | 2.70 | 3.30 |
| YLME6045-120M | 12.00 | 58 | 2.20 | 2.80 |
| YLME6045-220M | 22.00 | 115 | 1.50 | 2.00 |
| YLME6045-330M | 33.00 | 150 | 1.45 | 1.60 |
| YLME6045-390M | 39.00 | 180 | 1.25 | 1.50 |
| YLME6045-680M | 68.00 | 290 | 0.90 | 1.20 |
| YLME6045-101M | 100.00 | 430 | 0.80 | 1.00 |
| YLME6045-151M | 15.00 | 760 | 0.70 | 0.80 |
| YLME6045-181M | 180.00 | 845 | 0.65 | 0.75 |
| YLME6045-221M | 220.00 | 890 | 0.55 | 0.63 |
| YLME6045-331M | 330.00 | 1410 | 0.48 | 0.51 |

1.Tolerance:N:±30% M:±20%,L:±15%,K:±10%

2.Inductance drops no more than 30% of initial value at rated current, temperature rises, ΔT=40℃

3.Operating temperature : -25 ℃ to 85 ℃.

4.Packaging quantity: 1000pcs/Reel

5.Unspecified values available on request.

毅力电子有限公司 Y.L.ELECTRONICS CO.,LTD

SMT POWER INDUCTORS (EPOXY SHIELDED)

贴片功率电感

YLME8040 SERIES

Electrical Specification

| PART NUMBER | INDUCTANCE L(uH) | DCR (mΩ) ±30% | Rated Current (A) | Isat (A) |
|---------------|---------------------|-------------------|----------------------|-------------|
| YLME8040-R82N | 0.82 | 8 | 6.30 | 13.80 |
| YLME8040-1R0N | 1.00 | 8 | 6.30 | 9.85 |
| YLME8040-1R5N | 1.50 | 10 | 5.65 | 8.15 |
| YLME8040-2R2N | 2.20 | 12 | 5.15 | 8.10 |
| YLME8040-3R0N | 3.00 | 14 | 4.70 | 7.10 |
| YLME8040-3R3N | 3.30 | 17 | 4.40 | 6.50 |
| YLME8040-3R6N | 3.60 | 17 | 4.35 | 6.10 |
| YLME8040-3R9N | 3.90 | 17 | 4.35 | 5.90 |
| YLME8040-5R6N | 5.60 | 21 | 3.85 | 4.55 |
| YLME8040-6R2M | 6.20 | 21 | 3.85 | 4.45 |
| YLME8040-6R8M | 6.80 | 24 | 3.60 | 4.30 |
| YLME8040-8R2M | 8.20 | 26 | 3.45 | 4.20 |
| YLME8040-100M | 10.00 | 29 | 3.30 | 3.60 |
| YLME8040-150M | 15.00 | 47 | 2.60 | 2.95 |
| YLME8040-220M | 22.00 | 69 | 2.10 | 2.40 |
| YLME8040-270M | 27.00 | 78 | 2.00 | 2.15 |
| YLME8040-330M | 33.00 | 97 | 1.80 | 2.05 |
| YLME8040-360M | 36.00 | 102 | 1.75 | 2.00 |
| YLME8040-390M | 39.00 | 107 | 1.70 | 1.95 |
| YLME8040-430M | 43.00 | 113 | 1.65 | 1.90 |
| YLME8040-470M | 47.00 | 136 | 1.55 | 1.75 |
| YLME8040-510M | 51.00 | 142 | 1.50 | 1.70 |
| YLME8040-560M | 56.00 | 148 | 1.45 | 1.55 |
| YLME8040-620M | 62.00 | 182 | 1.30 | 1.50 |
| YLME8040-680M | 68.00 | 196 | 1.25 | 1.45 |
| YLME8040-750M | 75.00 | 211 | 1.20 | 1.35 |
| YLME8040-820M | 82.00 | 225 | 1.15 | 1.30 |
| YLME8040-910M | 91.00 | 272 | 1.05 | 1.20 |
| YLME8040-101M | 100.00 | 290 | 1.00 | 1.15 |
| YLME8040-121M | 120.00 | 334 | 0.95 | 1.05 |
| YLME8040-151M | 150.00 | 410 | 0.85 | 1.00 |
| YLME8040-221M | 220.00 | 599 | 0.80 | 0.85 |
| YLME8040-331M | 330.00 | 889 | 0.64 | 0.68 |

1.Tolerance:N:±30% M:±20%,L:±15%,K:±10%

2.Inductance drops no more than 30% of initial value at rated current, temperature rises, ΔT=40℃

3.Operating temperature : -25 ℃ to 85 ℃.

4.Packaging quantity: 1000pcs/Reel

5.Unspecified values available on request.