

# 毅力电子有限公司 Y.L.ELECTRONICS CO.,LTD

## COMMON MODE LINE FILTERS

### YLSQ1212V-XX

#### 1.FEATURES

- Rated voltage:80~265VAC,50/60Hz. 270VAC,50/60Hz
- Turns Ratio:|N1:N2|=|1:1|±2%
- Excellent heat dissipation, Low noise at high pressure,
- Operating Temperature range:-40℃~+105℃

#### 2.APPLICATIONS

- EMI EMC Product
- Mainly used for TV power supply, air conditioning, audio equipment, game machine, printer, LED drive power supply, power adapter

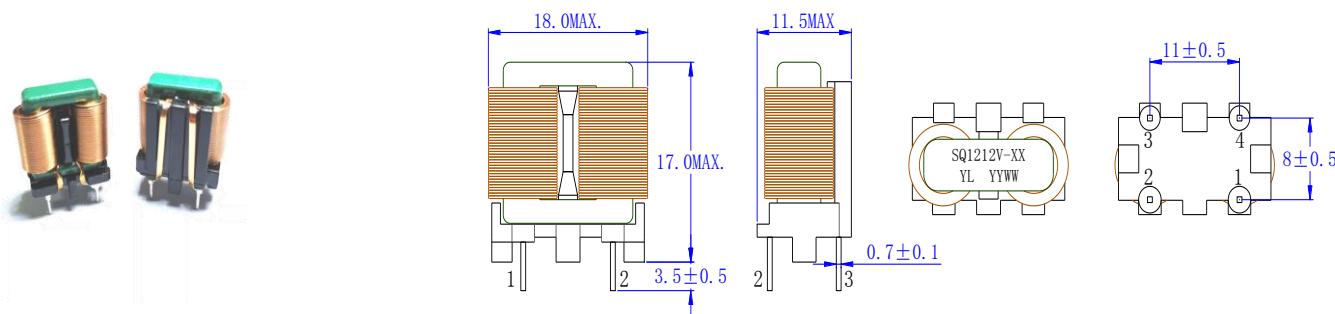
#### 3.PART NUMBERING SYSTEM

YLSQ            1212            V    -    XX

1                    2                    3                    4

SERIES NAME    DIMENSIONS    STRUCTURE    SERIAL-NUMBER

#### 4.MECHANICAL DIMENSIONS (UNIT:mm)



#### 5.ELECTRICAL SPECIFICATION

No.	Part Number	Inductance (mH)	DCR (Ω)	Rated Current (A)	Peak Current (A)
1	YLSQ1212V-01	17.0	0.25	0.80	1.12
2	YLSQ1212V-02	10.0	0.15	1.00	1.40
3	YLSQ1212V-03	5.0	0.14	1.20	1.68
4	YLSQ1212V-04	7.0	0.14	1.20	1.68
5	YLSQ1212V-05	5.0	0.10	1.60	2.24

Unspecified values available on request.

福建省漳州市云霄县云陵镇享堂工业区  
Industrial xiang tang yun xiao town zhangzhou city  
fujian province

惠州市博罗县龙溪镇电子城路46号科瑞高新产业园  
Kerui High-tech Industrial Park, No.46, Yuecheng Road, Longxi  
Town, Boluo County, Huizhou city, Guangdong Province

TEL:0596-8523238 0596-8545556 FAX:0596-8523938

TEL:0752-6809969 0752-6676654 FAX:0752-6809939

# 毅力电子有限公司 Y.L.ELECTRONICS CO.,LTD

## COMMON MODE LINE FITLTERS

### YLSQ1515V-XX

#### 1.FEATURES

- Rated voltage:80~265VAC,50/60Hz. 270VAC,50/60Hz
- Turns Ratio:|N1:N2|=|1:1|±2%
- Excellent heat dissipation, Low noise at high pressure,
- Operating Temperature range:-40℃~+105℃

#### 2.APPLICATIONS

- EMI EMC Product
- Mainly used for TV power supply, air conditioning, audio equipment, game machine, printer, LED drive power supply, power adapter

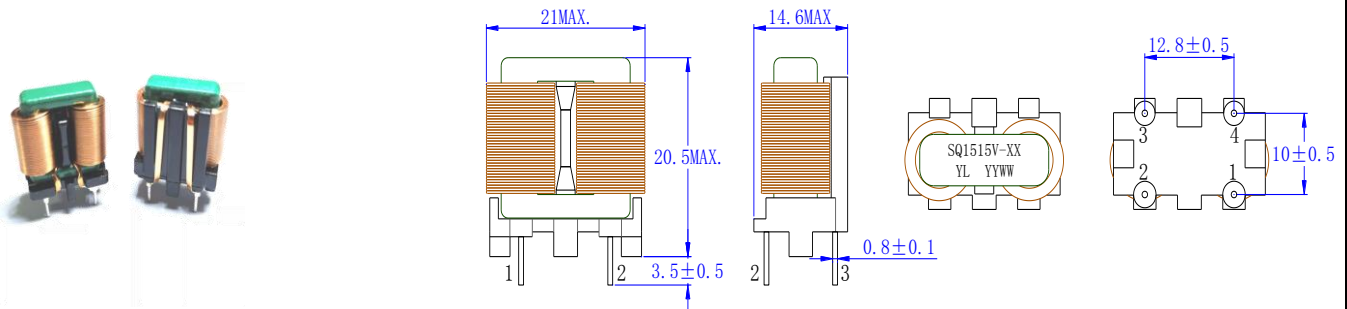
#### 3.PART NUMBERING SYSTEM

YLSQ                  1515                  V                  -                  XX

1                                  2                                  3                                  4

SERIES NAME    DIMENSIONS    STRUCTURE    SERIAL-NUMBER

#### 4.MECHANICAL DIMENSIONS (UNIT:mm)



#### 5.ELECTRICAL SPECIFICATION

No.	Part Number	Inductance (mH)	DCR (Ω)	Rated Current (A)	Peak Current (A)
1	YLSQ1515V-01	7.0	0.18	1.00	1.40
2	YLSQ1515V-02	15.0	0.25	1.00	1.40
3	YLSQ1515V-03	8.0	0.18	1.20	1.70
4	YLSQ1515V-04	10.0	0.20	1.20	1.70
5	YLSQ1515V-05	7.5	0.13	1.60	2.25
6	YLSQ1515V-06	8.0	0.15	1.60	2.25
7	YLSQ1515V-07	25.0	0.25	1.00	1.40

Unspecified values available on request.

福建省漳州市云霄县云陵镇享堂工业区  
Industrial xiang tang yun xiao town zhangzhou city  
fujian province

惠州市博罗县龙溪镇电子城路46号科瑞高新产业园  
Kerui High-tech Industrial Park, No.46, Yuecheng Road, Longxi  
Town, Boluo County, Huizhou city, Guangdong Province

TEL:0596-8523238 0596-8545556 FAX:0596-8523938

TEL:0752-6809969 0752-6676654 FAX:0752-6809939

# 毅力电子有限公司 Y.L.ELECTRONICS CO.,LTD

## COMMON MODE LINE FITLERS

### YLSQ1918V-XX

#### 1.FEATURES

- Rated voltage:80~265VAC,50/60Hz. 270VAC,50/60Hz
- Turns Ratio:|N1:N2|=|1:1|±2%
- Excellent heat dissipation, Low noise at high pressure,
- Operating Temperature range:-40℃~+105℃

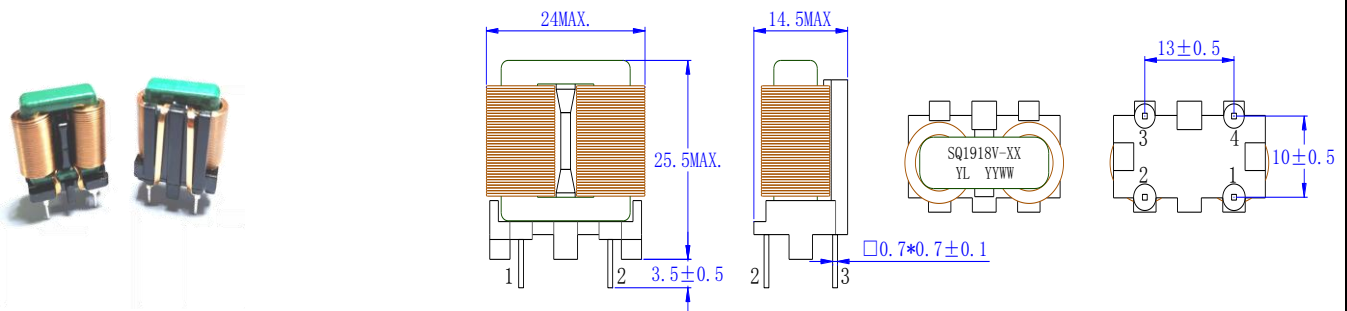
#### 2.APPLICATIONS

- EMI EMC Product
- Mainly used for TV power supply, air conditioning, audio equipment, game machine, printer, LED drive power supply, power adapter

#### 3.PART NUMBERING SYSTEM

<u>YLSQ</u>	<u>1918</u>	<u>V</u>	-	<u>XX</u>
1	2	3		4
SERIES NAME	DIMENSIONS	STRUCTURE		SERIAL-NUMBER

#### 4.MECHANICAL DIMENSIONS (UNIT:mm)



#### 5.ELECTRICAL SPECIFICATION

No.	Part Number	Inductance (mH)	DCR (Ω)	Rated Current (A)	Peak Current (A)
1	YLSQ1918V-01	12.0	0.22	1.20	1.70
2	YLSQ1918V-02	14.0	0.21	1.20	1.70
3	YLSQ1918V-03	10.0	0.22	1.60	2.25
4	YLSQ1918V-04	12.0	0.25	1.60	2.25
5	YLSQ1918V-05	8.0	0.11	2.00	2.80
6	YLSQ1918V-06	4.5	0.70	2.80	3.90

Unspecified values available on request.

福建省漳州市云霄县云陵镇享堂工业区  
Industrial xiang tang yun xiao town zhangzhou city  
fujian province

惠州市博罗县龙溪镇电子城路46号科瑞高新产业园  
Kerui High-tech Industrial Park, No.46, Yuecheng Road, Longxi  
Town, Boluo County, Huizhou city, Guangdong Province

TEL:0596-8523238 0596-8545556 FAX:0596-8523938

TEL:0752-6809969 0752-6676654 FAX:0752-6809939