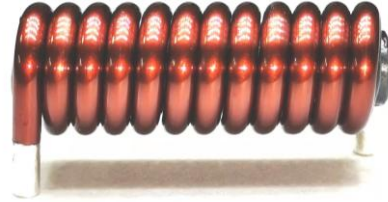


SMD RF TRANSFORMERS

YL160630-2

1.FEATURES

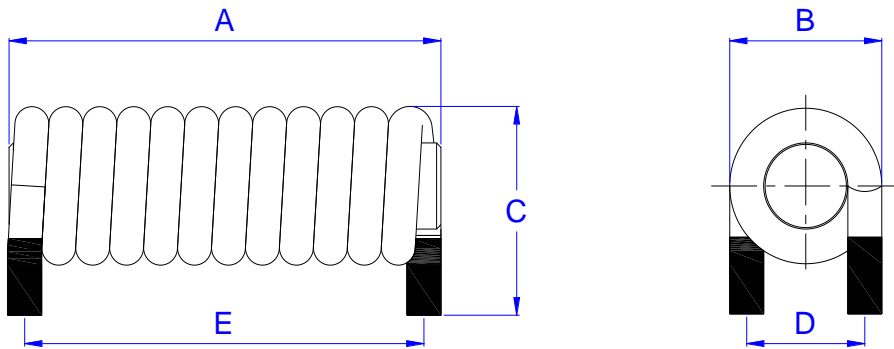
- High saturation current.
- General purpose inductors.
- Operating temperature range: -40°C~+125°C
- 100% lead (Pb) free meet RoHS Standard.



2.APPLICATIONS

- Power supplies.
- SCR and triac circuits.
- Output choke
- Automotive electronic components

3.MECHANICAL DIMENSIONS (UNIT:mm)



No.	A	B	C	D	E	
1	31.0MAX.	11.5MAX.	14.0MAX.	8.5±0.50	28.0±0.5	

4.ELECTRICAL SPECIFICATION

Part Number	Inductance (uH)	Frequency Range	Rated Current (A)	Insulation (MΩ) MIN.	Push-out force test (kgf)
YL160630-2	3.0±10%	1KHz, 1V	29.0	10	2 MIN.

Storage temperature range: -55°C~+125°C

福建省漳州市云霄县云陵镇享堂工业区
Industrial xiang tang yun xiao town zhangzhou city fujian province

惠州市博罗县龙溪镇电子城路46号科瑞高新产业园
Kerui High-tech Industrial Park, No.46, Yuecheng Road, Longxi Town, Boluo County, Huizhou city, Guangdong Province

TEL:0596-8523238 0596-8545556 FAX:0596-8523938

TEL:0752-6809969 0752-6676654 FAX:0752-6809939