

SMD AUDIO TRANSFORMER

SEH0810-01

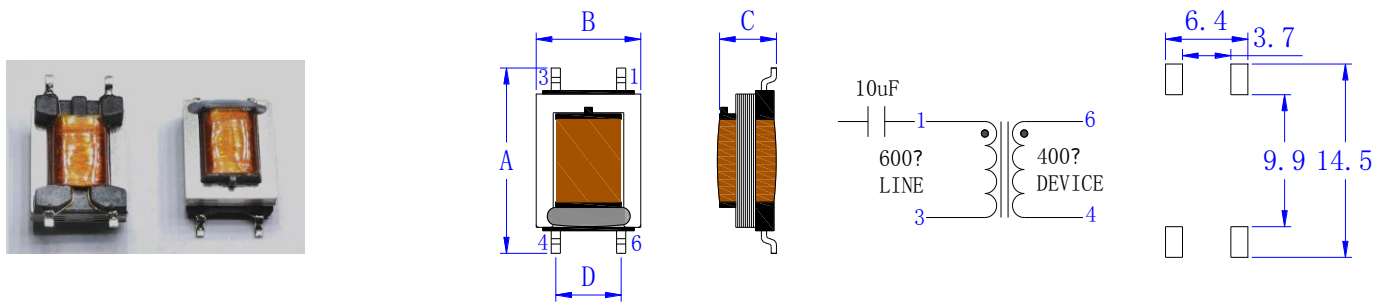
1.FEATURES

- . Operating temperature : -25 °C to 85 °C.
- . SMT TYPE,Low distortion,Small size.
- . 100% lead (Pb) free meet RoHS Standard.

2.APPLICATIONS

.MODEM

3.MECHANICAL DRAWING



4.DINENSIONS (UNIT:mm)

No.	SERIES	A (MAX)	B (MAX)	C (MAX)	D
1	SEH0810-01	13.0	8.2	4.6	5.0±0.3

5.ELECTRICAL SPECIFICATION

Isolation:1250Vrms (WINGDING TO WINGDING)

Turns Ratio:1:1±1%

L1-3 Inductance:2.0H MIN. @ 250Hz 0.5V,PARALLEL

DCR1-3/DCR6-4:105Ω ±10%

Insertion Loss:2.0 dB MAX. @ 1KHz 1Vrms

Frequency Response:±0.3 dB MAX. @ 350KHz- 3.50KHz

Return Loss:10.0 dB Min. @ @ 350KHz- 3.50KHz

Packaging:500PCS/Reel,2000PCS/Carton.

福建省漳州市云霄县云陵镇亭堂工业区  
Industrial xiang tang yun xiao town zhangzhou  
city fujian province

惠州市博罗县龙溪镇电子城路46号科瑞高新产业园  
Kerui High-tech Industrial Park, No.46, Yuecheng Road, Longxi  
Town, Boluo County, Huizhou city, Guangdong Province

TEL:0596-8523238 0596-8545556 FAX:0596-8523938

TEL:0752-6809969 0752-6676654 FAX:0752-6809939