

SMD CURRENT SENSE TRANSFORMER

EE5S-01/EE5S-02/EE5S-03/EE5S-04/EE5S-05/EE5S-06/EE5S-07/EE5S-08

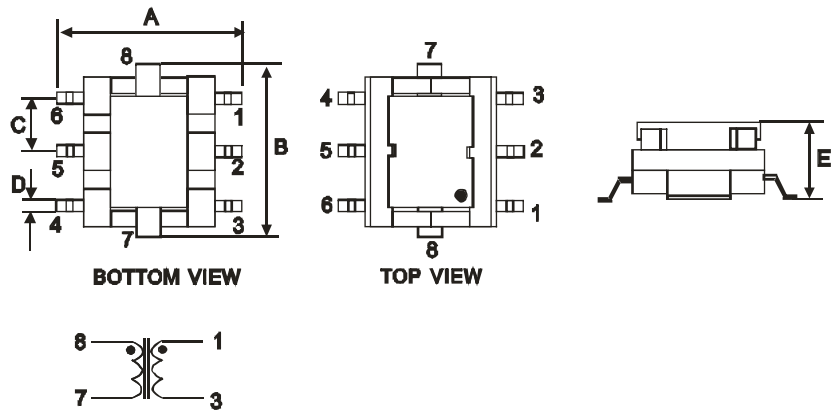
1.FEATURES

- . Operating temperature : -40 °C to 125 °C.
- . SMT TYPE,Small size.
- . Current Rating:up to 20A
- . RoHS-6 Compliance Product.

2.APPLICATIONS

- . Precise current measurement in instrumentation
- . Electronic systems application:SMPS
- . Circuit-protection
- . Monitoring

3.MECHANICAL DRAWING



4.DINENSIONS (UNIT:mm)

No.	SERIES	A	B	C	D	E
1	EE5S-XX	8.38 MAX.	7.21 MAX.	1.85±0.3	0.6±0.1	5.3 MAX.

5.ELECTRICAL SPECIFICATION

Part Number	Turns Ratio (8-7):(1-3) (±2%)	OCL(1-3) (10KHz 0.1V) mH Min.	DCR (1-3) mΩ Max.	DCR (8-7) mΩ Max.	HI-POT Vrms
EE5S-01	1:20	0.08	550	0.75	500
EE5S-02	1:30	0.18	870	0.75	500
EE5S-03	1:40	0.32	1140	0.75	500
EE5S-04	1:50	0.50	1500	0.75	500
EE5S-05	1:60	0.72	2250	0.75	500
EE5S-06	1:70	0.98	4750	0.75	500
EE5S-07	1:100	2.00	5500	0.75	500
EE5S-08	1:125	3.00	6500	0.75	500

Remark: Packaging Quantity: 1000pcs/Reel

福建省漳州市云霄县云陵镇亭堂工业区
Industrial xiang tang yun xiao town zhangzhou city
fujian province

惠州市博罗县龙溪镇电子城路46号科瑞高新产业园
Kerui High-tech Industrial Park, No.46, Yuecheng Road, Longxi
Town, Boluo County, Huizhou city, Guangdong Province

TEL:0596-8523238 0596-8545556 FAX:0596-8523938

TEL:0752-6809969 0752-6676654 FAX:0752-6809939