

CHIP COMMON MODE CHOKE

YLCM-XXXX-F SERIES

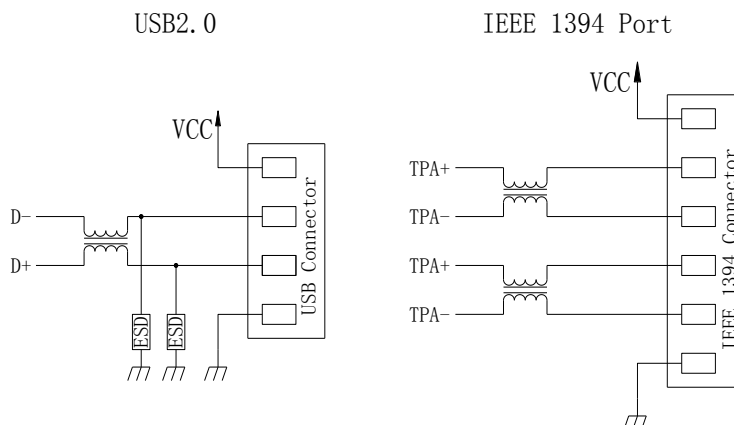
1.FEATURES

- Ultra miniature size and wire wound type microchip transformer.
- High common mode impedance at high suppression performance
- Suitable for differential signal line like USB2.0,IEEE1394 and LVDS.
- 100% lead (Pb) free meet RoHS Standard.

2.APPLICATIONS

- Common noise suppression of signal lines in high speed and high density digital equipment such as personal computers and peripherals.
- Ideal for use as common mode chokes for USB1.1 USB2.0/IEEE1394 interface.

3.APPLICATIONS EXAMPLES



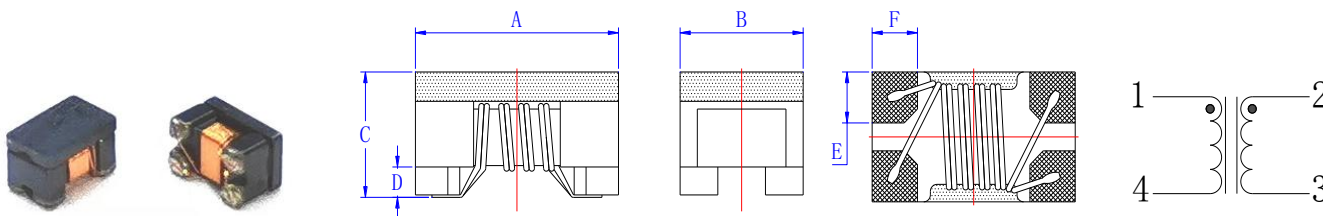
4.PART NUMBERING SYSTEM

YLCM **2012F** - **001**

1 2 3

SERIES NAME DIMENSIONS SERIAL NUMBER

5.MECHANICAL DRAWING



6.DINENSIONS (UNIT:mm)

No.	SERIES	A	B	C	D	E	F
1	YLCM2012F	2.0±0.2	1.20±0.2	1.20±0.2	0.17±0.2	0.45REF.	0.45REF.
2	YLCM3216F	3.2±0.2	1.6±0.2	1.9±0.2	0.17±0.2	0.60REF.	0.60REF.
3	YLCM3225F	3.2±0.2	2.5±0.2	2.7±0.2	0.17±0.2	0.90REF.	0.90REF.

福建省漳州市云霄县云陵镇亭堂工业区
Industrial xiang tang yun xiao town zhangzhou city
fujian province

惠州市博罗县龙溪镇电子城路46号科瑞高新产业园
Kerui High-tech Industrial Park, No.46, Yuecheng Road,
Longxi Town, Boluo County, Huizhou city, Guangdong
Province

TEL:0596-8523238 0596-8545556 FAX:0596-8523938

TEL:0752-6809969 0752-6676654 FAX:0752-6809939

毅力电子有限公司 Y.L.ELECTRONICS CO.,LTD

CHIP COMMUN MODE CHOKE

片式共模电感

YLCM2012F SERIES

Electrical Specification

PART NUMBER	common mode Impedance (Ω) \pm 25%	Frequency Range	Insulation (M Ω) MIN.	Withstand Voltage (Vdc)	DCR(Ω) MAX.	Rated Voltage (Vdc)	Rated Current (mA)
YLCM2012F-001	67	100 MHz	10	125	0.25	50	400
YLCM2012F-002	90	100 MHz	10	125	0.35	50	330
YLCM2012F-003	120	100 MHz	10	125	0.3	50	370
YLCM2012F-004	180	100 MHz	10	125	0.35	50	330
YLCM2012F-005	260	100 MHz	10	125	0.4	50	300
YLCM2012F-006	370	100 MHz	10	125	0.45	50	280

YLCM3216F SERIES

Electrical Specification

PART NUMBER	common mode Impedance (Ω) \pm 25%	Frequency Range	Insulation (M Ω) MIN.	Withstand Voltage (Vdc)	DCR(Ω) MAX.	Rated Voltage (Vdc)	Rated Current (mA)
YLCM3216F-001	90	100 MHz	10	125	0.3	50	370
YLCM3216F-002	160	100 MHz	10	125	0.4	50	340
YLCM3216F-003	260	100 MHz	10	125	0.5	50	310
YLCM3216F-004	600	100 MHz	10	125	0.8	50	260
YLCM3216F-005	1000	100 MHz	10	125	1	50	230
YLCM3216F-006	2200	100 MHz	10	125	1.2	50	200

YLCM3225F SERIES

Electrical Specification

PART NUMBER	common mode Impedance (Ω) \pm 25%	Frequency Range	Insulation (M Ω) MIN.	Withstand Voltage (Vdc)	DCR(Ω) MAX.	Rated Voltage (Vdc)	Rated Current (mA)
YLCM3225F-001	80	100 MHz	10	125	0.15	50	400
YLCM3225F-002	160	100 MHz	10	125	0.2	50	350
YLCM3225F-003	270	100 MHz	10	125	0.3	50	300
YLCM3225F-004	1000	100 MHz	10	125	0.5	50	200

1. Operating temperature : -40 °C to 85 °C.

2. Packaging quantity: 2000pcs/Reel 7";10000PCS/BOX. 60000PCS/CARTON

3. Unspecified values available on request.