

毅力电子有限公司 Y.L.ELECTRONICS CO.,LTD

THROUGH HOLE POWER INDUCTORS (UNSHIELDED)

YL18 SERIES

1.FEATURES

- . High performance (I Sat) realized by metal dust core.
- . Low loss realized with low DCR .
- . Ultra low buzz noise, due to composite construction.
- . 100% lead (Pb) free meet RoHS Standard.

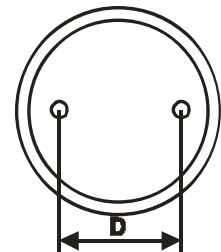
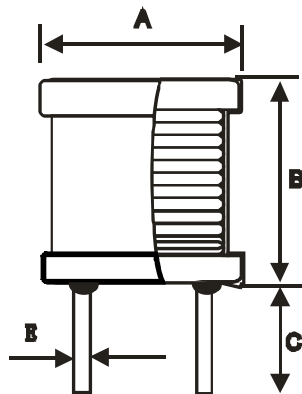
2.APPLICATIONS

- . DC/DC converter for CPU in notebook PC.
- . Power supply for VTR,OA equipment Digital camera,Electuonic toys and games. Etc.

3.PART NUMBERING SYSTEM

<u>YL18</u>	<u>0406</u>	-	<u>1R0</u>	k
1	2	3	4	
SERIES NAME	DIMENSIONS	INDUCTANCE	TOLERANCE	

4.MECHANICAL DRAWING



5.DINENSIONS (UNIT:mm)

No.	SERIES	A (MAX)	B (MAX)	C (MIN.)	D	E
1	YL180406	4.5±0.5	7.0±1.0	5	2.0	0.6
2	YL180608	6.5±1.0	10.0±1.0	5	3.0	0.6
3	YL180810	8.5±1.0	12.0±1.0	5	5	0.6
4	YL181010	10.5±1.0	12.0±1.0	5	5	0.65
5	YL180912	9.5±1.0	14.0±1.0	5	5	0.8

福建省漳州市云霄县云陵镇享堂工业区
Industrial xiang tang yun xiao town zhangzhou city fujian
province

TEL:0596-8523238 0596-8545556 FAX:0596-8523938

惠州市博罗县龙溪镇电子城路46号科瑞高新产业园
Kerui High-tech Industrial Park, No.46, Yuecheng
Road, Longxi Town, Boluo County, Huizhou city,
Guangdong Province

TEL:0752-6809969 0752-6676654 FAX:0752-6809939

毅力电子有限公司 Y.L.ELECTRONICS CO.,LTD

THROUGH HOLE POWER INDUCTORS (UNSHIELDED)

贴片功率电感

YL180406 SERIES

Electrical Specification

PART NUMBER	INDUCTANCE L(uH)	Q (MIN.)	DCR (Ω) MAX.	Rated Current (A)	SRF(MHZ) MIN.
YL180406-1R0M	1.0	84	0.10	1.4	200
YL180406-1R5M	1.5	80	0.15	1.2	140
YL180406-1R8M	1.8	90	0.17	1.1	130
YL180406-2R2M	2.2	98	0.20	1.1	125
YL180406-2R7M	2.7	94	0.20	1.3	113
YL180406-3R3M	3.3	93	0.22	1.3	92
YL180406-3R9M	3.9	86	0.24	1.3	77
YL180406-4R7M	4.7	84	0.26	0.8	58
YL180406-5R6M	5.6	84	0.28	0.8	42
YL180406-6R8M	6.8	82	0.30	0.8	35
YL180406-8R2M	8.2	77	0.35	0.8	32
YL180406-100K	10	70	0.46	0.7	27
YL180406-120K	12	80	0.48	0.6	20
YL180406-150K	15	77	0.55	0.6	18
YL180406-180K	18	87	0.65	0.5	16
YL180406-220K	22	84	0.72	0.5	14
YL180406-270K	27	77	0.78	0.4	13
YL180406-330K	33	74	0.87	0.4	12
YL180406-390K	39	70	0.90	0.4	11
YL180406-470K	47	65	0.98	0.4	10
YL180406-560K	56	58	1.5	0.32	9.5
YL180406-680K	68	55	1.9	0.3	9.0
YL180406-820K	82	53	2.5	0.3	8.6
YL180406-101K	100	56	3.0	0.2	7.0
YL180406-121K	120	70	3.80	0.2	6.3
YL180406-151K	150	63	4.5	0.2	5.7
YL180406-221K	220	66	5.8	0.2	5.0
YL180406-331K	330	60	7.0	0.15	4.0
YL180406-471K	470	61	8.0	0.12	3.5
YL180406-681K	680	56	9.5	0.12	3.0
YL180406-102K	1000	77	17	0.1	2.5
YL180406-122K	1200	71	20	0.08	2.3
YL180406-152K	1500	76	22	0.08	2.1
YL180406-222K	2200	81	26	0.06	1.6
YL180406-332K	3300	60	50	0.03	1.27
YL180406-472K	4700	65	60	0.03	1.06
YL180406-562K	5600	66	65	0.03	1.02
YL180406-682K	6800	66	72	0.03	0.96

1.Tolerance:M:±20%,L:±15%,K:±10%

2.Inductance drops no more than 10% of initial value at rated current, temperature rises, ΔT=40℃

3.Inductance tested at 100KHz 0.1Vrms

4.Operating temperature : -25 ℃ to 85 ℃.

5.Unspecified values available on request.

毅力电子有限公司 Y.L.ELECTRONICS CO.,LTD

THROUGH HOLE POWER INDUCTORS (UNSHIELDED)

贴片功率电感

YL180608 SERIES

Electrical Specification

PART NUMBER	INDUCTANCE L(uH)	Q (MIN.)	DCR (Ω) MAX.	Rated Current (A)	SRF(MHZ) MIN.
YL180608-100K	10	25	0.09	1.30	16
YL180608-120K	12	25	0.10	1.10	15
YL180608-150K	15	25	0.11	1.05	13
YL180608-180K	18	20	0.12	1.00	12
YL180608-220K	22	25	0.12	0.96	11
YL180608-270K	27	25	0.17	0.92	10
YL180608-330K	33	25	0.19	0.88	8.8
YL180608-390K	39	20	0.22	0.86	8.4
YL180608-470K	47	20	0.23	0.83	8.2
YL180608-560K	56	20	0.29	0.81	7.9
YL180608-680K	68	20	0.37	0.75	7.0
YL180608-820K	82	20	0.39	0.74	6.5
YL180608-101K	100	30	0.44	0.71	5.7
YL180608-121K	120	30	0.64	0.68	5.2
YL180608-151K	150	35	0.73	0.60	4.7
YL180608-221K	220	35	0.92	0.45	3.7
YL180608-331K	330	40	1.50	0.40	3.2
YL180608-471K	470	35	2.30	0.34	2.4
YL180608-681K	680	45	3.25	0.25	2.0
YL180608-102K	1000	80	4.55	0.21	1.5
YL180608-122K	1200	80	5.20	0.20	1.4
YL180608-152K	1500	75	7.54	0.18	1.3
YL180608-222K	2200	80	8.32	0.15	1.1
YL180608-332K	3300	80	10.92	0.13	0.85
YL180608-472K	4700	80	17.81	0.09	0.68
YL180608-562K	5600	80	20.00	0.07	0.62
YL180608-682K	6800	80	27.30	0.07	0.61
YL180608-103K	10000	80	39.00	0.06	0.48
YL180608-123K	12000	80	42.90	0.06	0.44
YL180608-153K	15000	70	65.00	0.05	0.35
YL180608-183K	18000	75	72.80	0.05	0.30
YL180608-223K	22000	80	82.55	0.05	0.28

1.Tolerance:M:±20%,L:±15%,K:±10%

2.Inductance drops no more than 10% of initial value at rated current, temperature rises, ΔT=40℃

3.Inductance tested at 100KHz 0.1Vrms

4.Operating temperature : -25 ℃ to 85 ℃.

5.Unspecified values available on request.

毅力电子有限公司 Y.L.ELECTRONICS CO.,LTD

THROUGH HOLE POWER INDUCTORS (UNSHIELDED)

贴片功率电感

YL180810 SERIES

Electrical Specification

PART NUMBER	INDUCTANCE L(uH)	Q (MIN.)	DCR (Ω) MAX.	Rated Current (A)	SRF(MHZ) MIN.
YL180810-1R0M	1.0	90	0.02	3.40	100
YL180810-1R5M	1.5	95	0.02	3.40	80
YL180810-1R8M	1.8	95	0.03	3.30	75
YL180810-2R2M	2.2	100	0.03	3.00	70
YL180810-2R7M	2.7	110	0.04	3.00	60
YL180810-3R3M	3.3	110	0.04	3.00	56
YL180810-3R9M	3.9	110	0.05	2.90	52
YL180810-4R7M	4.7	110	0.05	2.90	30
YL180810-5R6M	5.6	110	0.06	2.60	30
YL180810-8R2M	8.2	80	0.06	2.00	17
YL180810-100K	10	90	0.10	1.60	12
YL180810-120K	12	90	0.10	1.40	11
YL180810-150K	15	90	0.10	1.30	10
YL180810-180K	18	80	0.11	1.20	9.0
YL180810-220K	22	70	0.13	1.10	8.0
YL180810-270K	27	70	0.14	1.00	7.0
YL180810-330K	33	70	0.16	0.90	7.0
YL180810-390K	39	70	0.16	0.80	6.0
YL180810-470K	47	70	0.16	0.70	5.5
YL180810-560K	56	60	0.22	0.70	5.5
YL180810-680K	68	60	0.23	0.60	5.0
YL180810-820K	82	60	0.27	0.50	4.5
YL180810-101K	100	40	0.29	0.40	4.5
YL180810-121K	120	40	0.33	0.40	4.5
YL180810-151K	150	40	0.46	0.35	4.5
YL180810-221K	220	40	0.62	0.30	3.5
YL180810-331K	330	30	0.79	0.25	3.0
YL180810-471K	470	30	1.20	0.18	2.5
YL180810-681K	680	30	1.50	0.14	2.0
YL180810-102K	1000	50	2.00	0.12	2.0
YL180810-122K	1200	45	2.30	0.10	1.5
YL180810-152K	1500	45	2.90	0.08	1.5
YL180810-222K	2200	50	4.20	0.07	1.0
YL180810-332K	3300	50	6.10	0.06	0.9
YL180810-472K	4700	55	11.00	0.05	0.7
YL180810-562K	5600	55	11.00	0.05	0.6
YL180810-882K	8800	60	15.00	0.05	0.6
YL180810-103K	10000	100	20.00	0.04	0.5
YL180810-123K	12000	100	28.00	0.04	0.4
YL180810-153K	15000	100	28.00	0.04	0.4

1.Tolerance:M:±20%,L:±15%,K:±10%

2.Inductance drops no more than 10% of initial value at rated current, temperature rises, $\Delta T=40^{\circ}\text{C}$

3.Inductance tested at 100KHz 0.1Vrms

4.Operating temperature : -25 $^{\circ}\text{C}$ to 85 $^{\circ}\text{C}$.

5.Unspecified values available on request.

毅力电子有限公司 Y.L.ELECTRONICS CO.,LTD

THROUGH HOLE POWER INDUCTORS (UNSHIELDED)

贴片功率电感

YL181010 SERIES

Electrical Specification

PART NUMBER	INDUCTANCE L(μ H)	Q (MIN.)	DCR (Ω) MAX.	Rated Current (A)	SRF(MHZ) MIN.
YL181010-100K	10	20	0.023	6.100	23
YL181010-120K	12	20	0.025	5.600	20
YL181010-150K	15	20	0.020	5.000	19
YL181010-180K	18	20	0.036	4.600	16
YL181010-220K	22	20	0.042	4.100	15
YL181010-270K	27	20	0.046	3.700	12
YL181010-330K	33	20	0.055	3.400	11
YL181010-390K	39	20	0.075	3.100	10.3
YL181010-470K	47	20	0.082	2.800	9.5
YL181010-560K	56	20	0.090	2.600	8.6
YL181010-680K	68	20	0.120	2.300	7.5
YL181010-820K	82	20	0.140	2.100	7.0
YL181010-101K	100	15	0.150	1.900	7.0
YL181010-121K	120	15	0.210	1.750	6.0
YL181010-151K	150	15	0.245	1.600	5.0
YL181010-181K	180	15	0.300	1.450	5.0
YL181010-221K	220	15	0.360	1.300	4.3
YL181010-271K	270	15	0.490	1.200	4.0
YL181010-331K	330	15	0.570	1.100	3.0
YL181010-391K	390	15	0.620	1.000	3.0
YL181010-471K	470	15	0.810	0.900	2.3
YL181010-561K	560	15	0.920	0.800	2.0
YL181010-681K	680	15	1.200	0.750	2.0
YL181010-821K	820	15	1.350	0.680	2.0
YL181010-102K	1000	15	1.450	0.600	1.6
YL181010-122K	1200	15	2.100	0.550	1.4
YL181010-152K	1500	15	2.400	0.500	1.3
YL181010-182K	1800	15	3.500	0.450	1.3
YL181010-222K	2200	15	4.100	0.410	1.2
YL181010-272K	2700	15	5.200	0.370	1.0
YL181010-332K	3300	15	6.000	0.340	1.0
YL181010-392K	3900	15	7.000	0.310	0.9
YL181010-472K	4700	15	8.500	0.280	0.8
YL181010-562K	5600	15	10.000	0.260	0.8
YL181010-682K	6800	15	13.000	0.230	0.7
YL181010-822K	8200	15	15.800	0.210	0.6
YL181010-103K	10000	15	19.000	0.190	0.6
YL181010-123K	12000	15	22.000	0.170	0.5
YL181010-153K	15000	15	29.000	0.160	0.5
YL181010-183K	18000	15	33.000	0.140	0.4

1.Tolerance:M: \pm 20%,L: \pm 15%,K: \pm 10%

2.Inductance drops no more than 10% of initial value at rated current, temperature rises, $\Delta T=40^{\circ}\text{C}$

3.Inductance tested at 100KHz 0.1Vrms

4.Operating temperature : -25°C to 85°C .

5.Unspecified values available on request.

毅力电子有限公司 Y.L.ELECTRONICS CO.,LTD

THROUGH HOLE POWER INDUCTORS (UNSHIELDED)

贴片功率电感

YL180912 SERIES

Electrical Specification

PART NUMBER	INDUCTANCE L(uH)	Q (MIN.)	DCR (Ω) MAX.	Rated Current (A)	SRF(MHZ) MIN.
YL180912-100K	10	20	0.040	2.800	24
YL180912-120K	12	20	0.040	2.700	18
YL180912-150K	15	20	0.050	2.300	11
YL180912-180K	18	20	0.060	2.100	8.4
YL180912-220K	22	20	0.070	2.000	9.2
YL180912-270K	27	20	0.100	1.700	7.1
YL180912-330K	33	20	0.120	1.500	7.1
YL180912-390K	39	20	0.120	1.400	6.9
YL180912-470K	47	20	0.130	1.300	6.0
YL180912-560K	56	20	0.140	1.200	5.7
YL180912-680K	68	20	0.150	1.000	5.4
YL180912-820K	82	20	0.160	0.900	4.6
YL180912-101K	100	15	0.250	0.700	4.0
YL180912-121K	120	15	0.280	0.700	3.6
YL180912-151K	150	15	0.320	0.700	3.1
YL180912-181K	180	15	0.470	0.600	2.8
YL180912-221K	220	15	0.530	0.500	2.5
YL180912-271K	270	15	0.600	0.450	2.4
YL180912-331K	330	15	0.850	0.400	2.0
YL180912-391K	390	15	0.950	0.350	2.1
YL180912-471K	470	15	1.100	0.350	1.9
YL180912-561K	560	15	1.200	0.300	1.8
YL180912-681K	680	15	1.300	0.250	1.7
YL180912-821K	820	15	1.400	0.200	1.5
YL180912-102K	1000	15	2.000	0.200	1.1
YL180912-122K	1200	15	2.300	0.180	1.0
YL180912-152K	1500	15	2.900	0.150	1.0
YL180912-182K	1800	15	3.300	0.120	0.9
YL180912-222K	2200	15	4.500	0.110	0.7
YL180912-272K	2700	15	5.500	0.090	0.7
YL180912-332K	3300	15	5.700	0.080	0.6
YL180912-392K	3900	15	6.500	0.080	0.6
YL180912-472K	4700	15	7.200	0.060	0.6
YL180912-562K	5600	15	9.500	0.050	0.5
YL180912-682K	6800	15	11.000	0.050	0.5
YL180912-822K	8200	15	13.000	0.050	0.4
YL180912-103K	10000	15	16.000	0.040	0.3
YL180912-123K	12000	15	18.000	0.040	0.3
YL180912-153K	15000	15	21.000	0.040	0.3
YL180912-183K	18000	15	23.000	0.040	0.3

1.Tolerance:M:±20%,L:±15%,K:±10%

2.Inductance drops no more than 10% of initial value at rated current, temperature rises, $\Delta T=40^{\circ}\text{C}$

3.Inductance tested at 100KHz 0.1Vrms

4.Operating temperature : -25 $^{\circ}\text{C}$ to 85 $^{\circ}\text{C}$.

5.Unspecified values available on request.