

毅力电子有限公司 Y.L.ELECTRONICS CO.,LTD

COMMON MODE FILTERS

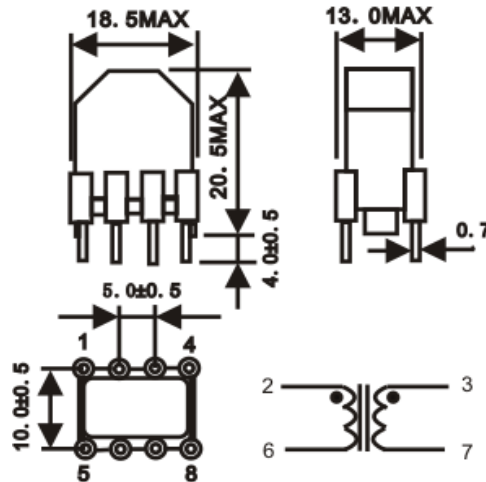
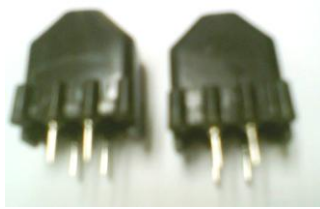
YLC3112-XX

1.APPLICATIONS

. POWER SUPPLY & OTHER EQUIPMENT FILTER

2.MECHANICAL DRAWING

UNIT:mm



3.ELECTRICAL SPECIFICATION

No.	PART NO.	L (mH) MIN.	/L1-L2/ (uH) MAX.	TEST CONDITION	DCR MAX (Ω)	RATED CURRENT (A)
1	YLC3112-01	0.4	0.04	1KHZ 1V	0.06	2.6
2	YLC3112-02	1.0	0.10	1KHZ 1V	0.10	2.0
3	YLC3112-03	3.3	0.33	1KHZ 1V	0.17	1.5
4	YLC3112-04	6.8	0.68	1KHZ 1V	0.28	1.2
5	YLC3112-05	10.0	1.0	1KHZ 1V	0.55	0.7
6	YLC3112-06	15.0	1.5	1KHZ 1V	0.83	0.5
7	YLC3112-07	27.0	2.7	1KHZ 1V	1.8	0.4
8	YLC3112-08	39.0	3.90	1KHZ 1V	1.9	0.4

Isolation:1500Vrms (WINGDING TO WINGDING)

Turns Ratio:1:1±1%

Temperature Rise:≤40℃

Operating Temperature:-20℃ to 80℃

Unspecified values available on request.

福建省漳州市云霄县云陵镇亨堂工业区
Industrial xiang tang yun xiao town zhangzhou city fujian
province

惠州市博罗县龙溪镇电子城路46号科瑞高新产业园
Kerui High-tech Industrial Park, No.46, Yuecheng Road,
Longxi Town, Boluo County, Huizhou city, Guangdong Province

TEL:0596-8523238 0596-8545556 FAX:0596-8523938

TEL:0752-6809969 0752-6676654 FAX:0752-6809939