

COMMON MODE FILTERS

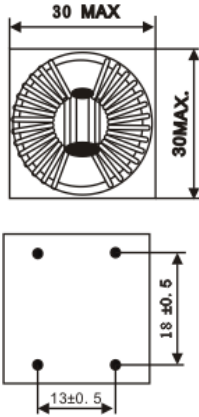
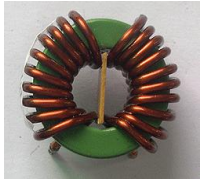
YLC221410-XX

1.APPLICATIONS

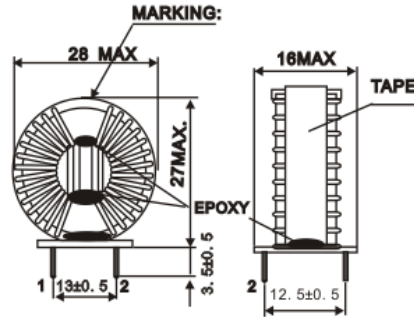
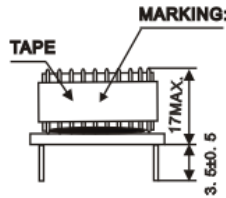
. POWER SUPPLY & OTHER EQUIPMENT FILTER

2.MECHANICAL DRAWING

UNIT:mm



TYPE 01



TYPE 02



3.ELECTRICAL SPECIFICATION

No.	PART NO.	L (mH) MIN.	/L1-L2/ (uH) MAX.	TEST CONDITION	DCR MAX (Ω)	RATED CURRENT (A)
1	YLC221410-01	0.55	0.05	1KHZ 1V	0.010	10
2	YLC221410-02	0.90	0.09	1KHZ 1V	0.012	8
3	YLC221410-03	1.50	1.5	1KHZ 1V	0.018	7
4	YLC221410-04	3.30	3.3	1KHZ 1V	0.025	5

Isolation:1500Vrms (WINGDING TO WINGDING)

Turns Ratio:1:1±1%

Temperature Rise:≤40℃

Operating Temperature:-20℃ to 80℃

Unspecified values available on request.

福建省漳州市云霄县云陵镇享堂工业区
Industrial xiang tang yun xiao town zhangzhou city fujian
province

惠州市博罗县龙溪镇电子城路46号科瑞高新产业园
Kerui High-tech Industrial Park, No.46, Yuecheng Road,
Longxi Town, Boluo County, Huizhou city, Guangdong Province

TEL:0596-8523238 0596-8545556 FAX:0596-8523938

TEL:0752-6809969 0752-6676654 FAX:0752-6809939