

AIR WOUND COILS

YLS2930/YLS5830/YLS1814/YLS3614/YLS4338/YLS8063 SERIES

1.FEATURES

- . High frequency applicatios
- . Small footprint as well as low profile.
- . High Q factor.
- . 100% lead (Pb) free meet RoHS Standard.

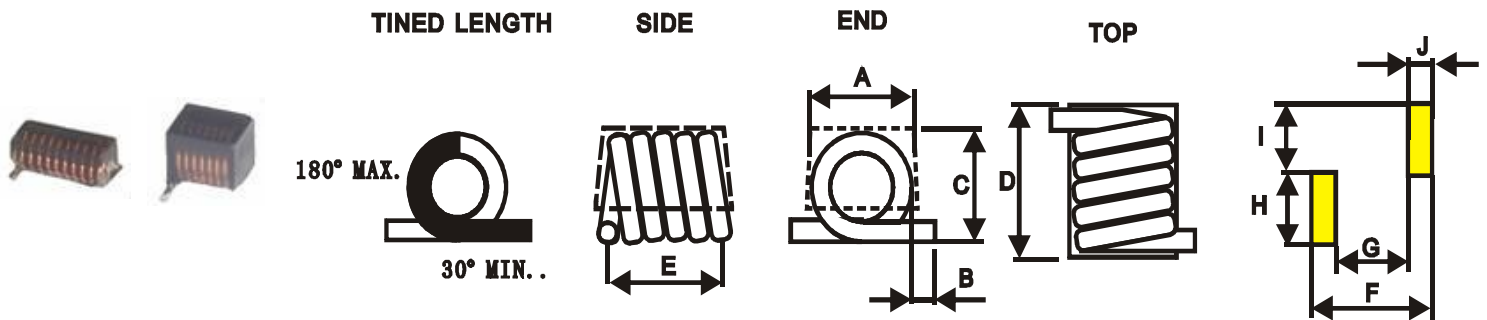
2.APPLICATIONS

- . Mobile phones,wireless phones, cordless phones; PHS &2.4G applications

3.PART NUMBERING SYSTEM



4.MECHANICAL DRAWING



5.DINENSIONS (UNIT:mm)

No.	SERIES	A (MAX)	B	C (MAX)	D (MAX.)	E	F	G	H	I	J
1	YLS2930	3.05	0.58±0.38	3.18	3.68	2.92±0.25	4.19	1.65	3.30	2.79	1.27
2	YLS5830	3.05	0.58±0.38	3.18	6.86	5.84±0.25	7.24	4.70	3.30	2.79	1.27
3	YLS1814	1.55	0.89±0.25	1.52	2.46	1.83±0.25	2.62	1.04	2.46	1.02	0.79
4	YLS3614	1.55	0.89±0.25	1.52	4.34	3.66±0.30	4.45	2.87	2.46	1.02	0.79
5	YLS4338	3.81	1.53±0.39	4.20	4.83	4.32±0.39	5.80	2.85	5.16	2.62	1.48
6	YLS8063	6.35	1.02±0.39	5.90	10.55	7.98±0.51	10.00	5.95	4.70	2.42	2.04

福建省漳州市云霄县云陵镇享堂工业区
Industrial xiang tang yun xiao town zhangzhou city fujian province

惠州市博罗县龙溪镇电子城路46号科瑞高新产业园
Kerui High-tech Industrial Park, No.46, Yuecheng Road, Longxi Town, Boluo County, Huizhou city, Guangdong Province

TEL:0596-8523238 0596-8545556 FAX:0596-8523938

TEL:0752-6809969 0752-6676654 FAX:0752-6809939

毅力电子有限公司 Y.L.ELECTRONICS CO.,LTD

AIR WOUND COILS

SMD 空芯线圈

YLS2930/5830 SERIES

Electrical Specification

PART NUMBER	INDUCTANCE L(nH)(150MHZ)	INDUCTANCE TOL.	Q(MIN.)	DCR (mΩ) MAX.	SRF(GHZ) MIN.	Rated Current (mA)
YLS2930-01	2.5	K	145	1.1	12.50	4
YLS2930-02	5.0	K, J	140	1.8	6.50	4
YLS2930-03	8.0	G, J	140	2.6	5.00	4
YLS2930-04	12.5	G, J	137	3.4	3.30	4
YLS2930-05	18.5	G, J	132	3.9	2.50	4
YLS5830-06	17.5	G, J	100	4.5	2.20	4
YLS5830-07	22.0	G, J	102	5.2	2.10	4
YLS5830-08	28.0	G, J	105	6.0	1.80	4
YLS5830-09	35.5	G, J	112	6.8	1.50	4
YLS5830-10	43.0	G, J	106	7.9	1.20	4

1.Tolerance:K:±10%,J:±5%,G:±2%,F:±1%

2.Operating temperature : -40 °C to 125 °C.

3.Packaging quantity: 500pcs/Reel 7";2000PCS/BOX. 12000PCS/CARTON

4.Unspecified values available on request.

毅力电子有限公司 Y.L.ELECTRONICS CO.,LTD

AIR WOUND COILS

SMD 空芯线圈

YLS1814/3614 SERIES

Electrical Specification

PART NUMBER	INDUCTANCE L(nH)(800MHZ)	INDUCTANCE TOL.	Q(MIN.)	DCR (mΩ) MAX.	SRF(GHZ) MIN.	Rated Current (mA)
YLS1814-01	1.65	K	100	4.00	10.00	1.6
YLS1814-02	2.55	K, J	100	5.00	8.20	1.6
YLS1814-03	3.85	K, J	100	6.00	7.50	1.6
YLS1814-04	5.45	G, J	100	8.00	7.00	1.6
YLS3614-05	5.60	G, J	100	9.00	6.50	1.6
YLS3614-06	7.15	G, J	100	10.00	6.00	1.6
YLS3614-07	8.80	G, J	100	12.00	6.00	1.6
YLS3614-08	9.85	G, J	100	13.00	5.20	1.6
YLS3614-09	12.55	G, J	100	14.00	4.60	1.6

1.Tolerance:K:±10%,J:±5%,G:±2%,F:±1%

2.Operating temperature : -40 °C to 125 °C.

3.Packaging quantity: 1000pcs/Reel 7";5000PCS/BOX. 30000PCS/CARTON

4.Unspecified values available on request.

毅力电子有限公司 Y.L.ELECTRONICS CO.,LTD

AIR WOUND COILS

SMD 空芯线圈

YLS4338 SERIES

Electrical Specification

PART NUMBER	INDUCTANCE L(nH)(150MHZ)	INDUCTANCE TOL.	Q(MIN.)	DCR (mΩ) MAX.	SRF(GHZ) MIN.	Rated Current (mA)
YLS4338-01	22.00	K, J	100	4.20	3.20	3.0
YLS4338-02	27.00	K, J	100	4.00	2.70	3.5
YLS4338-03	33.00	K, J	100	4.80	2.50	3.0
YLS4338-04	39.00	K, J	100	4.40	2.10	3.0
YLS4338-05	47.00	K, J	100	5.60	2.10	3.0
YLS4338-06	56.00	K, J	100	6.20	1.50	3.0
YLS4338-07	68.00	K, J	100	8.20	1.50	2.5
YLS4338-08	82.00	K, J	100	9.40	1.30	2.5
YLS4338-09	100.00	K, J	100	12.30	1.20	1.7
YLS4338-10	120.00	K, J	100	17.30	1.10	1.5

1.Tolerance:K:±10%,J:±5%,G:±2%,F:±1%

2.Operating temperature : -40 °C to 125 °C.

3.Packaging quantity: 1000pcs/Reel 13";1000PCS/BOX.10000PCS/CARTON

4.Unspecified values available on request.

毅力电子有限公司 Y.L.ELECTRONICS CO.,LTD

AIR WOUND COILS

SMD 空芯线圈

YLS8063 SERIES

Electrical Specification

PART NUMBER	INDUCTANCE L(nH)(50MHZ)	INDUCTANCE TOL.	Q(MIN.)	DCR (mΩ) MAX.	SRF(MHZ)MIN.	Rated Current (mA)
YLS8063-01	90.00	K, J	95	15.00	1140.00	3.5
YLS8063-02	111.00	K, J	87	15.00	1020.00	3.5
YLS8063-03	130.00	K, J	87	20.00	900.00	3.0
YLS8063-04	169.00	K, J	95	25.00	875.00	3.0
YLS8063-05	206.00	K, J	95	30.00	800.00	3.0
YLS8063-06	222.00	K, J	92	35.00	730.00	3.0
YLS8063-07	246.00	K, J	95	35.00	685.00	3.0
YLS8063-08	307.00	K, J	95	35.00	660.00	3.0
YLS8063-09	380.00	K, J	95	50.00	590.00	2.5
YLS8063-10	422.00	K, J	95	60.00	540.00	2.5
YLS8063-11	491.00	K, J	95	65.00	535.00	2.0
YLS8063-12	538.00	K, J	87	90.00	490.00	2.0

1.Tolerance:K:±10%,J:±5%,G:±2%,F:±1%

2.Operating temperature : -40 °C to 125 °C.

3.Packaging quantity: 1000pcs/Reel 13";1000PCS/BOX.10000PCS/CARTON

4.Unspecified values available on request.