

SMT POWER INDUCTORS (SHIELDED)

YLS063R/YLS103R/YLS104R/YLS105R SERIES

1.FEATURES

- . High performance (I Sat) realized by metal dust core.
- . Low loss realized with low DCR .
- . Ultra low buzz noise, due to composite construction.
- . 100% lead (Pb) free meet RoHS Standard.

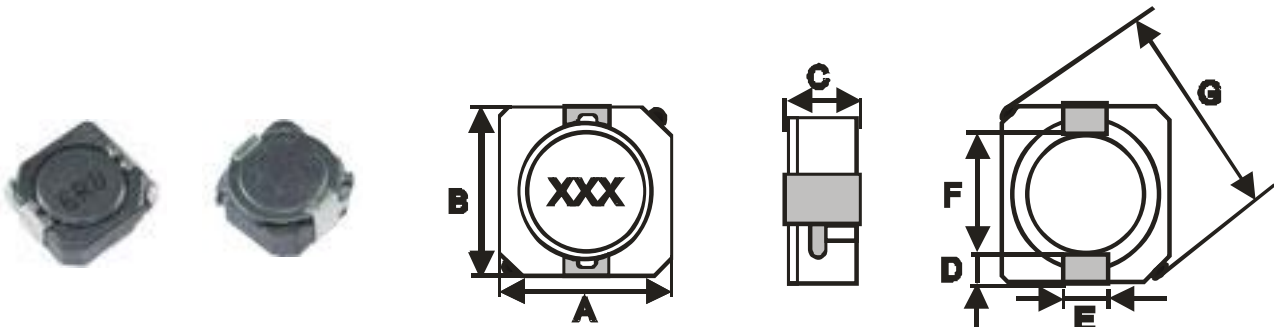
2.APPLICATIONS

- . DC/DC converter for CPU in notebook PC.
- . Power supply for VTR,OA equipment Digital camera,LCD television set notebook PC. Etc.

3.PART NUMBERING SYSTEM

<u>YLS</u>	<u>104R</u>	-	<u>100</u>	<u>M</u>
1	2		3	4
SERIES NAME	DIMENSIONS		INDUCTANCE	TOLERANCE

4.MECHANICAL DRAWING



5.DINENSIONS (UNIT:mm)

No.	SERIES	A (MAX)	B (MAX)	C (MAX)	D	E	F	G
1	YLS063R	6.2	6.5	3.0	0.6	2.0	4.7	8.8
2	YLS103R	10.5	10.8	3.3	1.2	3.0	7.7	13.5
3	YLS104R	10.5	10.8	4.3	1.2	3.0	7.7	13.5
4	YLS105R	10.5	10.8	5.3	1.2	3.0	7.7	13.5

福建省漳州市云霄县云陵镇亭堂工业区
Industrial xiang tang yun xiao town zhangzhou city
fujian province

惠州市博罗县龙溪镇电子城路46号科瑞高新产业园
Kerui High-tech Industrial Park, No.46, Yuecheng Road,
Longxi Town, Boluo County, Huizhou city, Guangdong Province

TEL:0596-8523238 0596-8545556 FAX:0596-8523938

TEL:0752-6809969 0752-6676654 FAX:0752-6809939

毅力电子有限公司 Y.L.ELECTRONICS CO.,LTD

SMT POWER INDUCTORS (SHIELDED)

贴片功率电感

YLS063R SERIES

Electrical Specification

PART NUMBER	MARKING	INDUCTANCE L(uH)	TEST FREQ (0.25V)	DCR (Ω) MAX.	Rated Current (A)
YLS063R-2R5M	2R5	2.5	100 KHZ	0.018	2.60
YLS063R-3R3M	3R3	3.3	100 KHZ	0.020	2.30
YLS063R-4R0M	4R0	4.0	100 KHZ	0.027	2.10
YLS063R-5R0M	5R0	5.0	100 KHZ	0.031	1.85
YLS063R-6R0M	6R0	6.0	100 KHZ	0.042	1.70
YLS063R-8R0M	8R0	8.0	100 KHZ	0.050	1.50
YLS063R-100M	100	10	1 KHZ	0.054	1.30
YLS063R-120M	120	12	1 KHZ	0.072	1.20
YLS063R-150M	150	15	1 KHZ	0.082	1.10
YLS063R-180M	180	18	1 KHZ	0.102	1.05
YLS063R-220M	220	22	1 KHZ	0.119	0.95
YLS063R-270M	270	27	1 KHZ	0.146	0.85
YLS063R-330M	330	33	1 KHZ	0.183	0.76
YLS063R-390M	390	39	1 KHZ	0.210	0.68
YLS063R-470M	470	47	1 KHZ	0.230	0.60
YLS063R-560M	560	56	1 KHZ	0.305	0.55
YLS063R-680M	680	68	1 KHZ	0.351	0.48
YLS063R-820M	820	82	1 KHZ	0.419	0.45
YLS063R-101M	101	100	1 KHZ	0.520	0.40

1.Tolerance:N:±30%,M:±20%,L:±15%,K:±10%

2.Inductance drops no more than 35% of initial value at rated current, temperature rises, $\Delta T=40^{\circ}\text{C}$

3.Operating temperature : -25°C to 85°C .

4.Packaging quantity: 2000pcs/Reel

5.Unspecified values available on request.

毅力电子有限公司 Y.L.ELECTRONICS CO.,LTD

SMT POWER INDUCTORS (SHIELDED)

贴片功率电感

YLS103R SERIES

Electrical Specification

PART NUMBER	MARKING	INDUCTANCE L(uH)	TEST FREQ (0.25V)	DCR (Ω) MAX.	Rated Current (A)
YLS103R-1R5N	1R5	1.5	100 KHZ	0.011	5.80
YLS103R-2R2N	2R2	2.2	100 KHZ	0.017	5.10
YLS103R-3R3N	3R3	3.3	100 KHZ	0.021	4.70
YLS103R-4R7N	4R7	4.7	100 KHZ	0.030	4.00
YLS103R-6R8N	6R8	6.8	100 KHZ	0.035	3.60
YLS103R-100M	100	10	1 KHZ	0.059	2.80
YLS103R-150M	150	15	1 KHZ	0.091	2.05
YLS103R-220M	220	22	1 KHZ	0.143	1.6
YLS103R-330M	330	33	1 KHZ	0.202	1.35
YLS103R-470M	470	47	1 KHZ	0.299	1.2
YLS103R-560M	560	56	1 KHZ	0.325	1.15
YLS103R-680M	680	68	1 KHZ	0.429	0.95
YLS103R-820M	820	82	1 KHZ	0.494	0.8
YLS103R-101M	101	100	1 KHZ	0.683	0.7
YLS103R-121M	121	120	1 KHZ	0.754	0.65
YLS103R-151M	151	150	1 KHZ	0.867	0.7

1.Tolerance:N:±30%,M:±20%,L:±15%,K:±10%

2.Inductance drops no more than 35% of initial value at rated current, temperature rises, $\Delta T=40^{\circ}\text{C}$

3.Operating temperature : -25 °C to 85 °C.

4.Packaging quantity: 1000pcs/Reel

5.Unspecified values available on request.

毅力电子有限公司 Y.L.ELECTRONICS CO.,LTD

SMT POWER INDUCTORS (SHIELDED)

贴片功率电感

YLS104R SERIES

Electrical Specification

PART NUMBER	MARKING	INDUCTANCE L(uH)	TEST FREQ (0.25V)	DCR (Ω) MAX.	Rated Current (A)
YLS104R-1R5N	1R5	1.5	100 KHZ	0.008	6.50
YLS104R-2R5N	2R5	2.5	100 KHZ	0.010	6.10
YLS104R-3R3N	3R3	3.3	100 KHZ	0.014	5.60
YLS104R-3R8N	3R8	3.8	100 KHZ	0.013	5.50
YLS104R-4R7N	4R7	4.7	100 KHZ	0.022	5.40
YLS104R-5R2N	5R2	5.2	100 KHZ	0.022	5.40
YLS104R-7R0N	7R0	7.0	100 KHZ	0.027	4.50
YLS104R-100M	100	10	1 KHZ	0.035	3.80
YLS104R-150M	150	15	1 KHZ	0.050	3.10
YLS104R-220M	220	22	1 KHZ	0.073	2.50
YLS104R-330M	330	33	1 KHZ	0.093	2.20
YLS104R-470M	470	47	1 KHZ	0.128	1.90
YLS104R-680M	680	68	1 KHZ	0.213	1.42
YLS104R-101M	101	100	1 KHZ	0.304	1.25
YLS104R-151M	151	150	1 KHZ	0.506	0.85
YLS104R-221M	221	220	1 KHZ	0.756	0.70
YLS104R-331M	331	330	1 KHZ	1.090	0.52

1.Tolerance:N:±30%,M:±20%,L:±15%,K:±10%

2.Inductance drops no more than 35% of initial value at rated current, temperature rises, $\Delta T=40^{\circ}\text{C}$

3.Operating temperature : -25°C to 85°C .

4.Packaging quantity: 1000pcs/Reel

5.Unspecified values available on request.

毅力电子有限公司 Y.L.ELECTRONICS CO.,LTD

SMT POWER INDUCTORS (SHIELDED)

贴片功率电感

YLS105R SERIES

Electrical Specification

PART NUMBER	MARKING	INDUCTANCE L(μ H)	TEST FREQ (0.25V)	DCR (Ω) MAX.	Rated Current (A)
YLS105R-1R5N	1R5	1.5	100 KHZ	0.006	8.30
YLS105R-2R2N	2R2	2.2	100 KHZ	0.007	7.50
YLS105R-3R3N	3R3	3.3	100 KHZ	0.010	6.50
YLS105R-4R7N	4R7	4.7	100 KHZ	0.012	6.10
YLS105R-6R8N	6R8	6.8	100 KHZ	0.018	5.40
YLS105R-100M	100	10	1 KHZ	0.026	4.45
YLS105R-120M	120	12	1 KHZ	0.033	3.80
YLS105R-150M	150	15	1 KHZ	0.041	3.40
YLS105R-180M	180	18	1 KHZ	0.046	3.10
YLS105R-220M	220	22	1 KHZ	0.061	2.90
YLS105R-330M	330	33	1 KHZ	0.084	2.40
YLS105R-470M	470	47	1 KHZ	0.130	2.00
YLS105R-560M	560	56	1 KHZ	0.149	1.90
YLS105R-680M	680	68	1 KHZ	0.201	1.60
YLS105R-101M	101	100	1 KHZ	0.253	1.35
YLS105R-121M	121	120	1 KHZ	0.303	1.18
YLS105R-181M	181	180	1 KHZ	0.419	1.00
YLS105R-221M	221	220	1 KHZ	0.500	0.94
YLS105R-331M	331	330	1 KHZ	0.812	0.73
YLS105R-471M	471	470	1 KHZ	1.290	0.54
YLS105R-561M	561	560	1 KHZ	1.430	0.52
YLS105R-681M	681	680	1 KHZ	1.600	0.51
YLS105R-821M	821	820	1 KHZ	1.770	0.48
YLS105R-102M	102	1000	1 KHZ	1.770	0.48

1.Tolerance:N: \pm 30%,M: \pm 20%,L: \pm 15%,K: \pm 10%

2.Inductance drops no more than 35% of initial value at rated current, temperature rises, $\Delta T=40^{\circ}\text{C}$

3.Operating temperature : -25°C to 85°C .

4.Packaging quantity: 1000pcs/Reel

5.Unspecified values available on request.